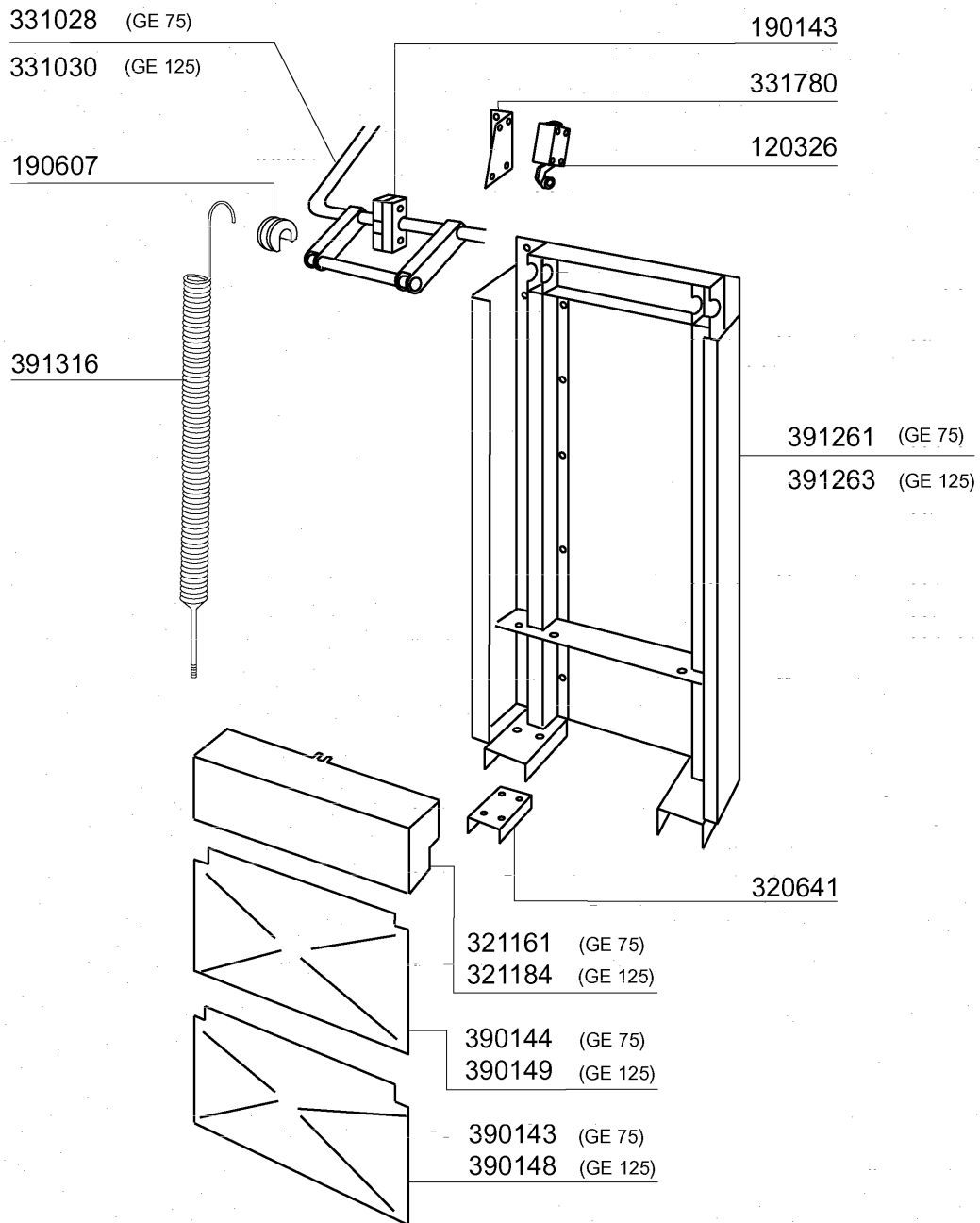


2 - Hood

CODE	DESCRIPTION
120342	DOR MAGNETIC SWITCH
160529	SLIDING BLOCK FOR DOOR
160833	GASKET 17X8,4 TH 0,75 TEFL
180626	GUIDE FOR DOOR G75-G125
190643	BUSH FOR DOOR HANDLE G75-125L-
190806	MAGNET HOUSING
320709	SPLASH GUARD G65-115
322208	SUPPORT GUARD G75
322917	RIGHT DOOR G70-75L
322918	LEFT DOOR G70-75L
322939	CENTRAL DOOR G125L
330112	PLATE GUIDE FOR DOOR HANDLE G7
331030	HANDLE G125L
331035	HANDLE NE/G125L
331426	BRACKET F. HOOD SPRING FIXING
331430	BRACKET FOR DOOR SPRING
331755	HOOK FOR DOOR SUPPORT
331956	DOOR MICRO SWITCH BRACKET
341542	HOOD G125L
341926	PIN FOR HANDLE G75-125
391309	DOOR SPRING 4KG - 40MM
411002	PERMANENT MAGNET 24X12

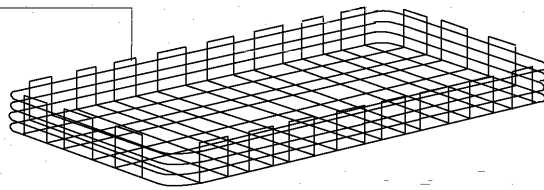


04 - 2005 S. AG.

3 - Handle

CODE	DESCRIPTION
120326	MICRO SWITCH FD 102
190143	HANDLE SUPPORT FOR G75L-125L
190607	HANDLE BUSH C30-70
320641	PLATE
321161	COVER
321184	COVER
331028	HANDLE G75L
331030	HANDLE G125L
331780	BRACKET FOR MICRO SWITCH
390143	LOWER BACK PANEL G75L
390144	UPPER BACK PANEL G75L
390148	LOWER BACK PANEL G125L
390149	UPPER BACK PANEL G125L
391261	FRAME
391263	FRAME
391316	SPRING FOR HANDLE C85/140-G75

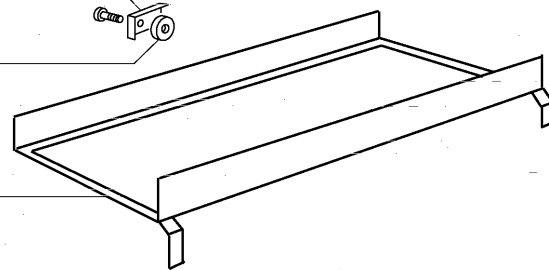
530223



321147

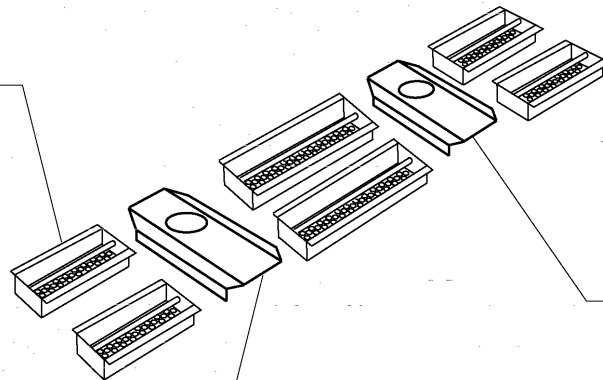


170337



322161

332016



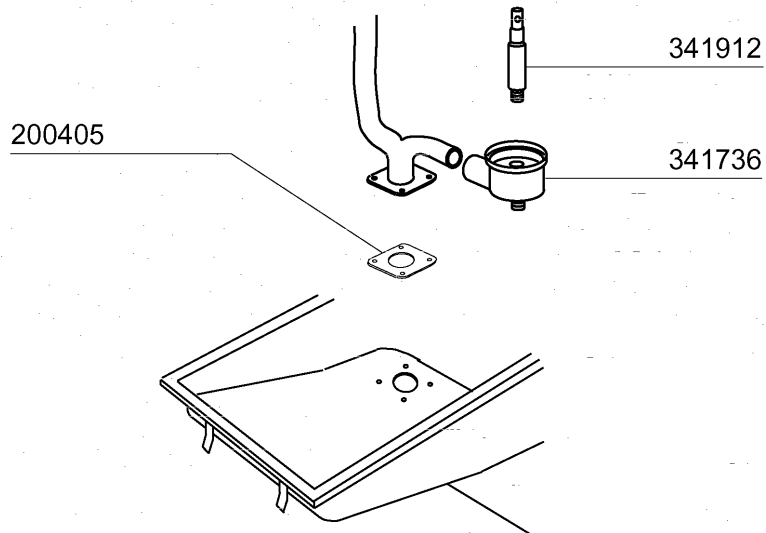
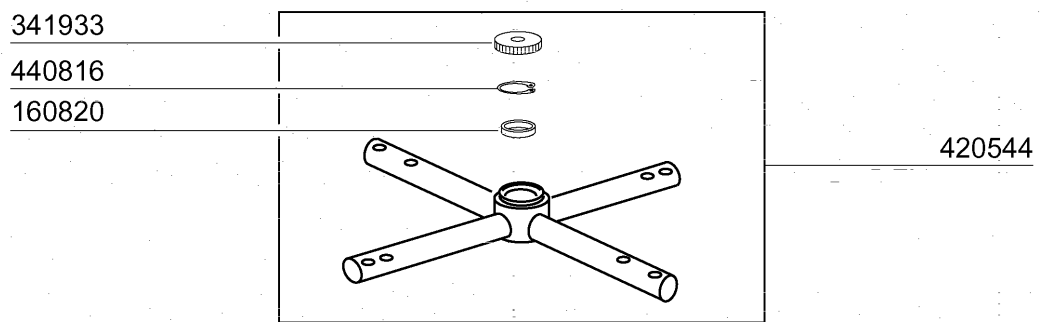
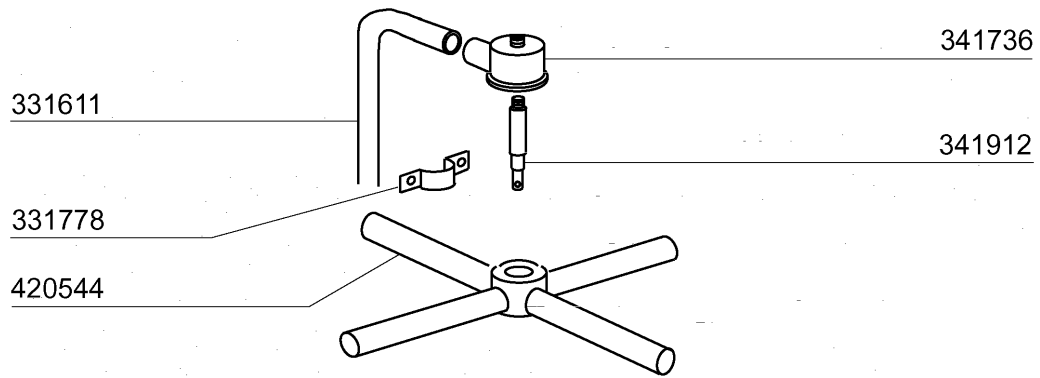
332017

330454

04 - 2005 S. AG.

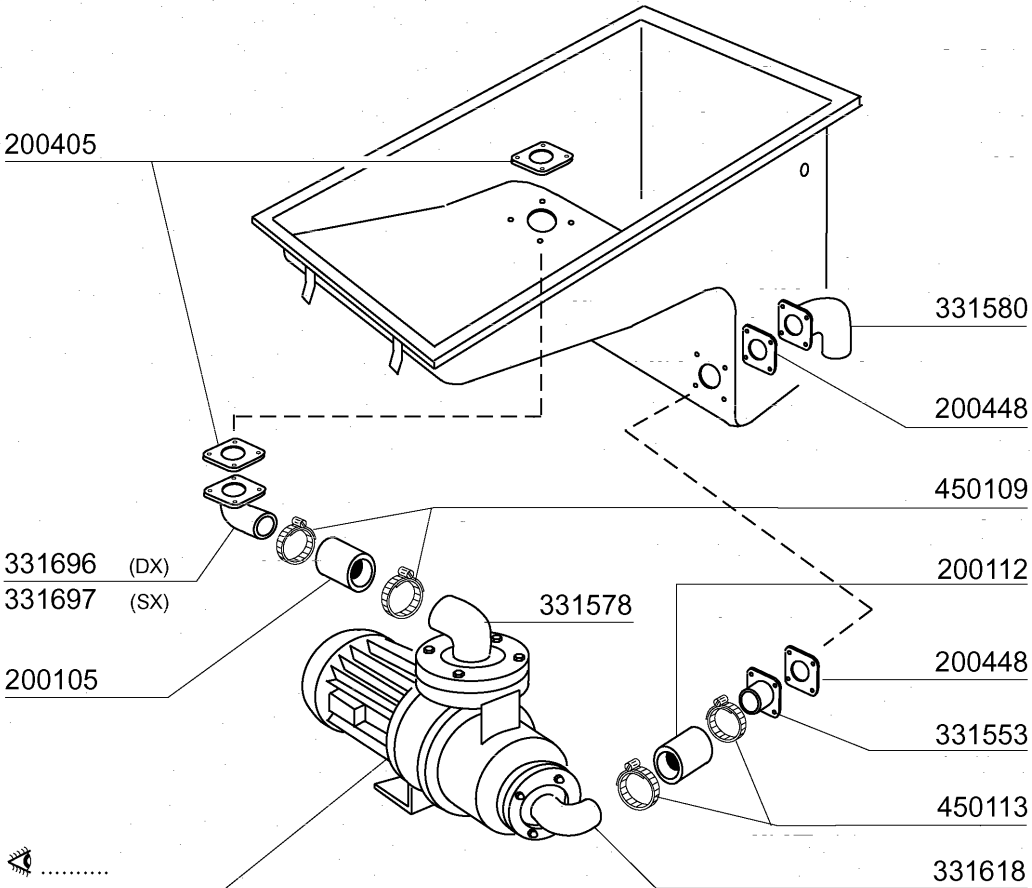
4 - Rack and strainers

CODE	DESCRIPTION
170337	WHEEL FOR G125 RACK
321147	COVER
322161	GUIDE
330454	CENTRAL SUPPORT FOR FILTERS GL
332016	TANK FILTER G65L-G115L
332017	TANK FILTER G115L-G125L
530223	RACK 1320X700 G115L-125L



5 - Wash Column

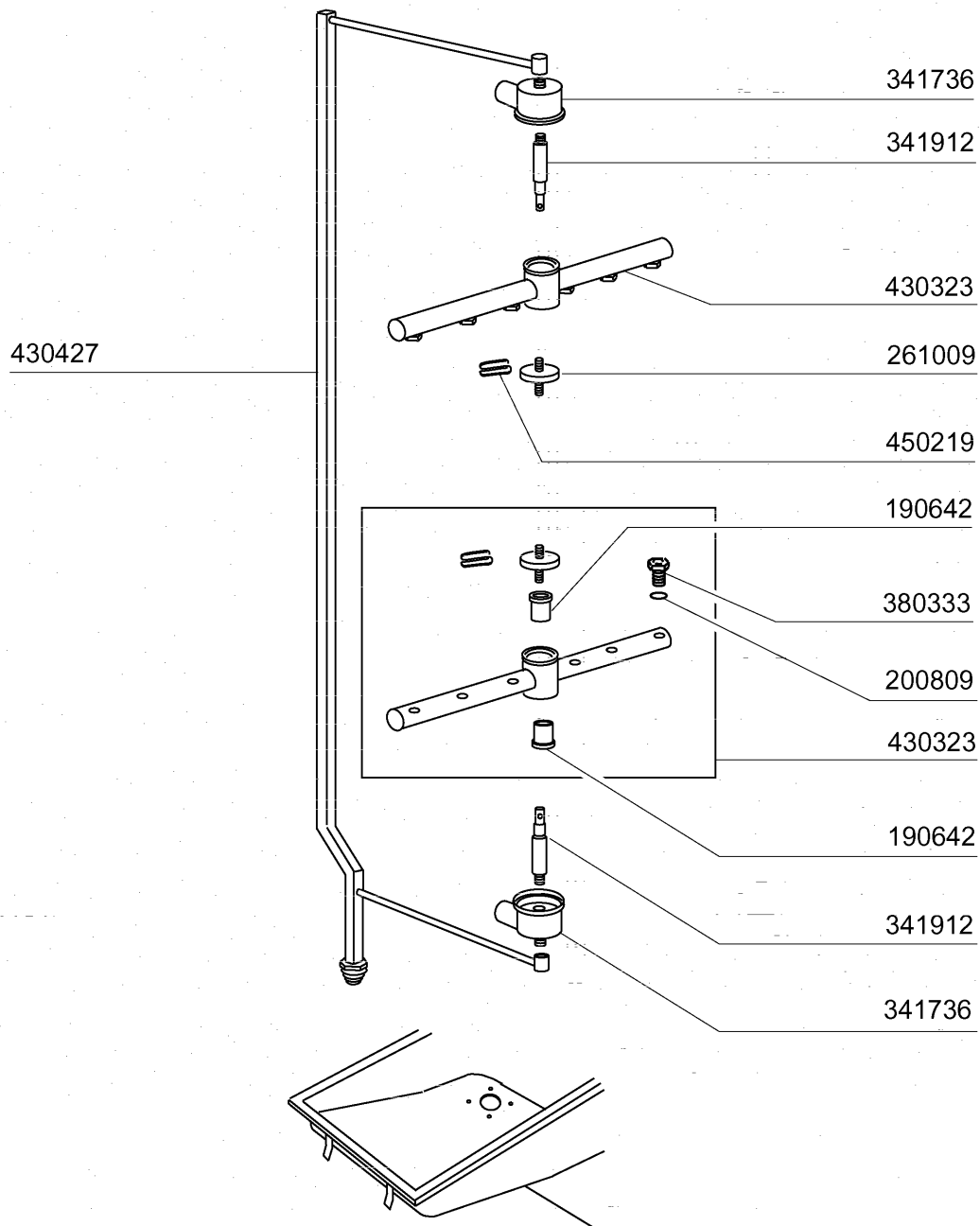
CODE	DESCRIPTION
160820	WASHER 47,5X25X11 G66-131
200405	GASKET 110X100X63 IN NEOTEN
331611	WASH COLUMN GL
331778	BRACKET FOR WASH COLUMN
341736	WASH ARM SUPPORT
341912	SPINDLE FOR GL WASH ARM
341933	NUT FOR WASH ARM GL
420544	WASH ARM GL
440816	STAINL.ST.SEAL. RING D.48 UNI3



04 - 2005 S. AG.

6 - Wash Tank/Pump

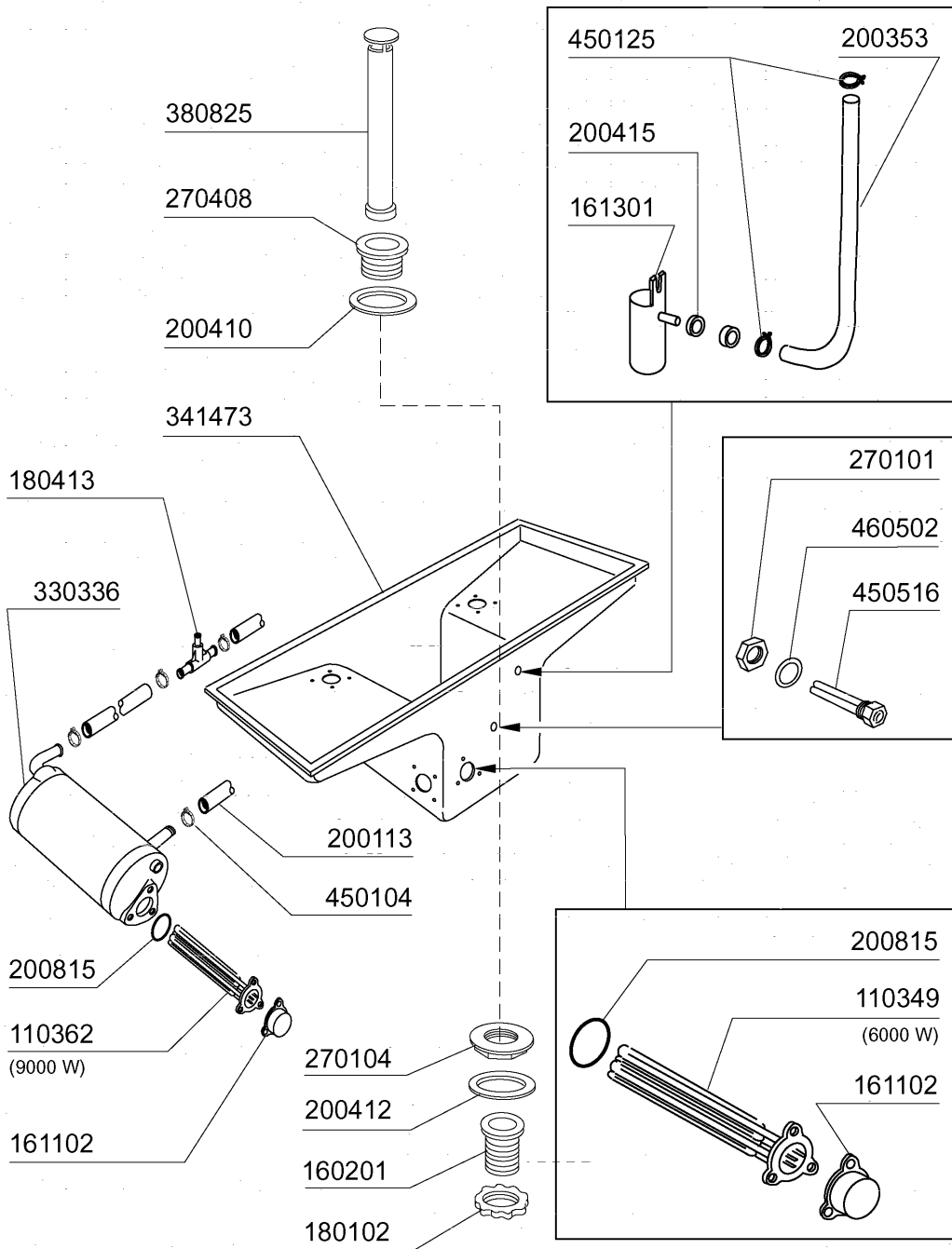
CODE	DESCRIPTION
200105	RUBBER HOSE 50X60
200112	RUBBER TUBE 75X83
200405	GASKET 110X100X63 IN NEOTEN
200448	GASKET 100X100X3 HOLE D.76
331553	INLET ELBOW FOR NG-GL WASH PUM
331578	DELIVERY ELBOW FOR G75 WASH PU
331580	INLET ELBOW FOR G75 WASH TANK
331618	SUCTION HOSE WITH FLANGE FOR G
331696	ELBOW FOR WASH COLUMN G115-125
331697	ELBOW FOR WASH COLUMN G
450109	CLAMP 50-65
450113	STAINL.STEEL CLAMPS D.83



04 - 2005 | S. AG.

7 - Rinse arm

CODE	DESCRIPTION
190642	BUSH FOR S/S RINSE ARM "G"
200809	OR GASKET 1,78X8,73X12,29
261009	RETAIN.SCREW FOR WASH-RINSE AR
341736	WASH ARM SUPPORT
341912	SPINDLE FOR GL WASH ARM
380333	S/S JET OV120 80LT 1/8"
430323	RINSE ARM GL65-75-115-125
430427	RINSE COLUMN GL
450219	SPRING F.RINSE ARM RETAIN.SCRE

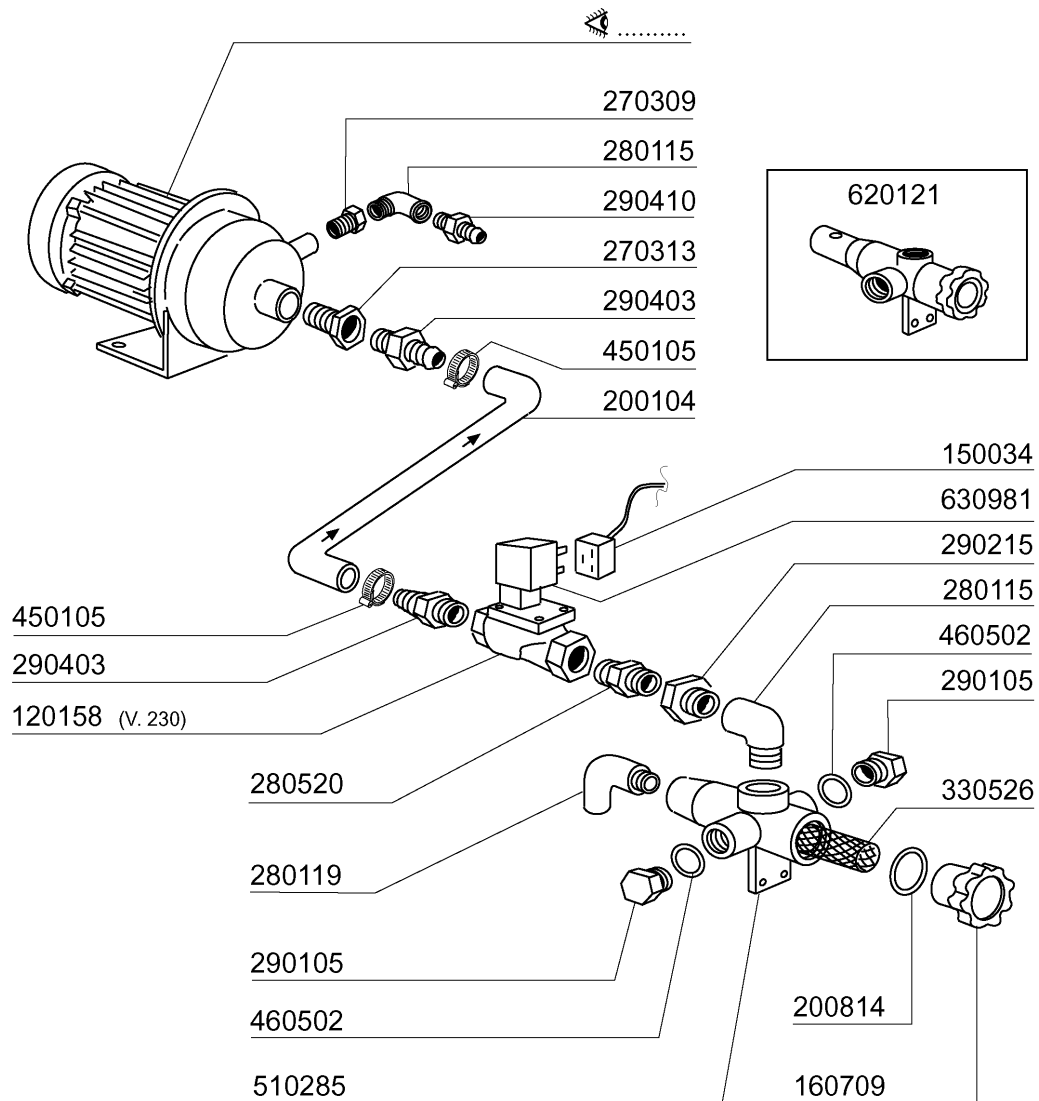


04 - 2005 | S.A.G.

8 - Wash and rinse

CODE	DESCRIPTION
110349	HEAT.ELEMENT 6000W 230/400V
110362	HEAT.ELEMENT 9000W 220/380V
160201	ELBOW F.TANK INLET MOPLN
161102	ELEMENT COVER MOPL.
161301	AIR TRAP F2 C34-F45
180102	DRAIN PIPE NUT 1"1/2 F45-55
180413	TEE NIPPLE D.11,5 - RINSE ASSE
200113	RUBBER HOSE 12 X 22
200353	PRESS.SWITCH HOSE B23-10-1-2-C
200410	DRAIN OUTL.WASH.1 1/2"65X47X2
200412	GASKET DRAIN 11/2" 45X33X3
200415	AIR TRAP GASKET -F2 18,5X10X3
200815	O-RING F. HEAT.ELEM.
270101	HEXAGON LOCK NUT 1/2"
270104	LOCK NUT 1" 1/2
270408	DRAIN OUTLET S/S FOR G75-125 D
330336	BOILER G115-G75
341473	TANK
380825	OVERFLOW PIPE S/S 510MM FOR G7
450104	CLAMP FE ZN H=12,5 15-24
450125	ELASTIC CLAMP D. 10,4X9,8
450516	THERMOSTAT SHIELD FOR 2 TERMOS
460502	GASKET 30X21X2

9 - Solenoid valve rinse pump

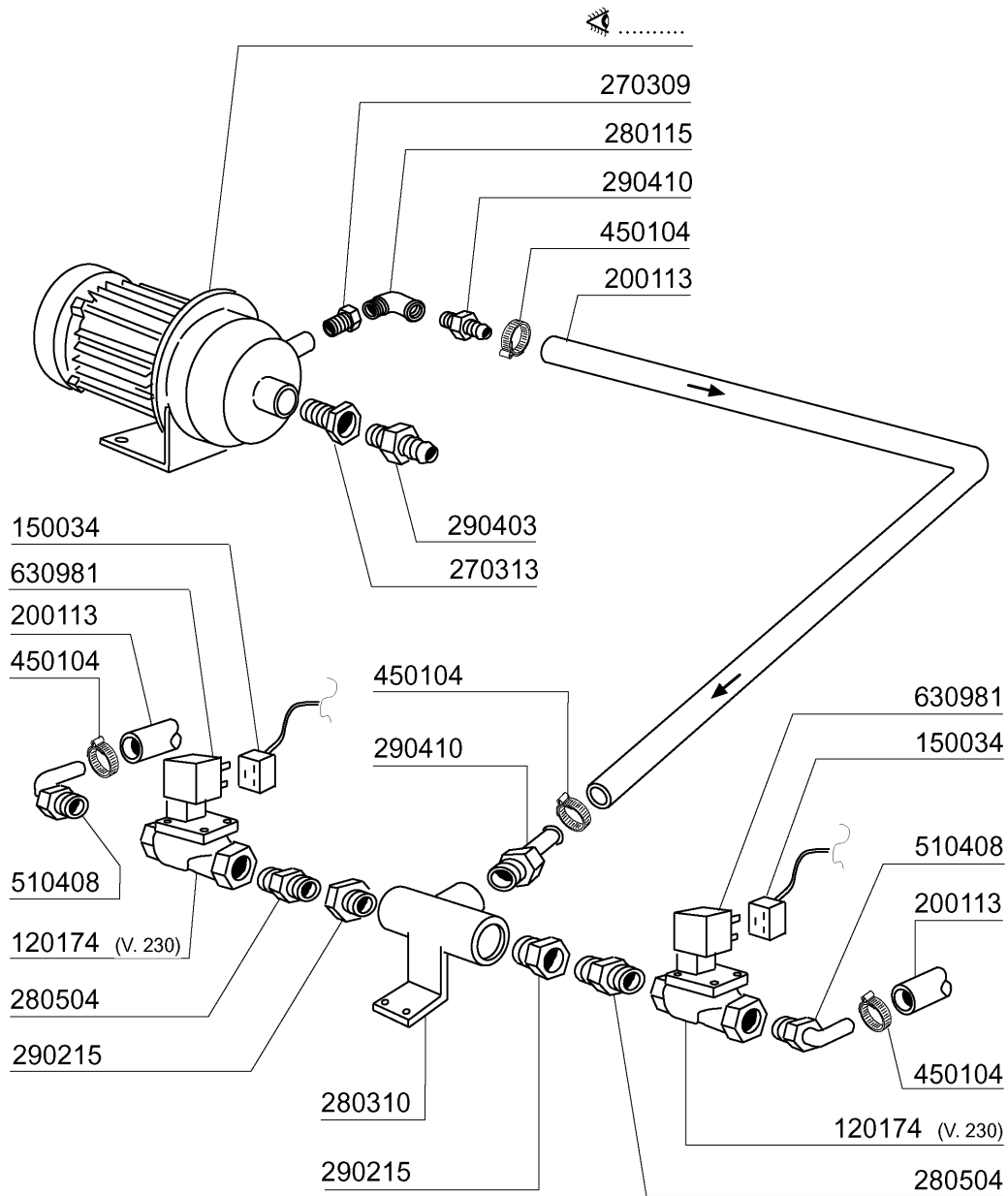


03 - 2006 | S. AG.

9 - Solenoid valve rinse pump

CODE	DESCRIPTION
120158	SOLEN. VALVE 3/4 L180Q17 240V
150034	CONNEC.F.SOLEN.VALVE 122.09.N
160709	KNOB OF MANIFOLD F. SOLEN. VAL
200104	DISCHARGE HOSE 20X30
200814	O-RING 34,52X41,58X3,53
270309	CONNECTION 1"-1/2"
270313	CONNECT.1 1/4" - 3/4"
280115	ELL 1/2"
280119	ELL MF 3/4"
280520	CONNECTION 3/4"
290105	BRASS-TE-PLUG 1/2"
290215	1/2"BSP M/F UNION BRASS
290403	NIPPLE M.3/4" BRASS
290410	NIPPLE 1/2"
330526	FILTERS 22X28 SOLENOID V.MANIF
450105	CLAMP FE ZN. 26-38 H=12,2
460502	GASKET 30X21X2
510285	SOLENOID VALVE MANIFOLD - BRAS
620121	TWIN SOLENOID VALVE MANIFOLD
630981	COIL Z610 220/240V 50/60HZ

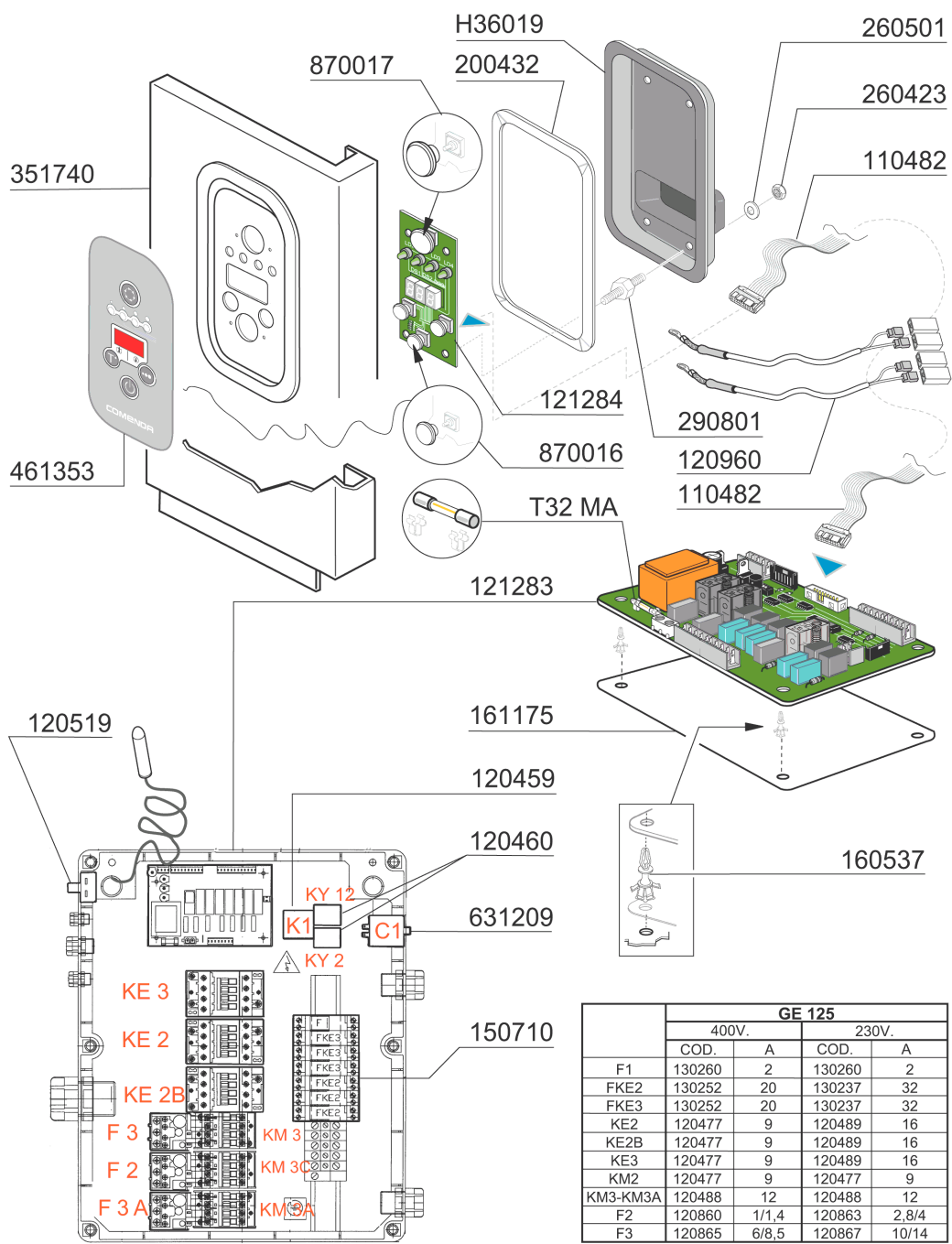
10 - Rinse solenoid valve



03 - 2006 | S. AG.

10 - Rinse solenoid valve

CODE	DESCRIPTION
120174	SOLEN. VALVE L180V31 1/2"-V220
150034	CONNEC.F.SOLEN.VALVE 122.09.N
200113	RUBBER HOSE 12 X 22
270309	CONNECTION 1"-1/2"
270313	CONNECT.1 1/4" - 3/4"
280115	ELL 1/2"
280310	TEE-CONNECTION 1/2"
280504	MANIFOLD CONN.HOSE
290215	1/2"BSP M/F UNION BRASS
290403	NIPPLE M.3/4" BRASS
290410	NIPPLE 1/2"
450104	CLAMP FE ZN H=12,5 15-24
510408	CONNECTION 90° 1/2"
630981	COIL Z610 220/240V 50/60HZ



	GE 125			
	400V.		230V.	
	COD.	A	COD.	A
F1	130260	2	130260	2
FKE2	130252	20	130237	32
FKE3	130252	20	130237	32
KE2	120477	9	120489	16
KE2B	120477	9	120489	16
KE3	120477	9	120489	16
KM2	120477	9	120477	9
KM3-KM3A	120488	12	120488	12
F2	120860	1/1,4	120863	2,8/4
F3	120865	6/8,5	120867	10/14

01 - 2007 | S. AG.

11 - Control box

CODE	DESCRIPTION
110482	CABLE FOR PCB FC-C-GE
120459	AUXIL.RELE 16A 220V
120460	RELAY 16A 220V
120477	CONTACTOR ABB 9A 220V 50/60HZ
120488	CONTACTOR ABB 12A 220V 50/60HZ
120489	CONTACTOR ABB 16A 220V 50/60HZ
120519	SECURITY THERMOSTAT 95-125Ø
120860	OVERLOAD RELAY ABB 1-1,4A
120863	OVERLOAD RELAY ABB 2,8-4A
120865	OVERLOAD RELAY ABB 6-8,5A
120867	OVERLOAD RELAY ABB 10-14A
120960	PROBE C-G
121283	ELECTRONIC PANEL "C-GE"
121284	ELECTRONIC CONTROL PANEL C-GE
130237	FUSE 14X51 32A GL14332
130252	FUSE 20A GF 12320
130260	FUSE 10,3X38 2A AM 13001
150710	FUSE CARRIER 10,3X38 ART.21401
160537	ELECTRONIC CARD SPACER
161175	PROTECTION
200432	SPONGY RUBBER ADHESIV 8X4 NEOP
260423	SELF-LOCKING NUT M3
260501	STAINL.STEEL FLAT WASHER D3 UN
290801	FIXING SCREW
351740	CONTROL PANEL GE
461353	PLATE C-GE ELECTRONIC
631209	ANTI-NOISE FILTER
870016	LITTLE SWITCH FOR PCB
870017	BIGGER SWITCH FOR PCB
H36019	COVER FOR GE PCB

630518
631661 (Ø 122)
200848
630128

HP 0,75 / Kw 0,55 **(CEA 120/2)**

100698 220/240 - 380/415 50 Hz
100705 220/240 - 380/415 60 Hz
100699 255/440 60 Hz

630529
200848
630128

631661 50 Hz (Ø 122)
631696 60 Hz

HP 0,75 / Kw 0,55 **(CEA 120/2/A)**

100789 220/240 - 380/415 50 Hz
100792 220/240 - 380/415 60 Hz
100793 255/440 60 Hz

630520

631693 50 Hz (Ø 116)
631694 60 Hz (Ø 90)

200948
460526
460525

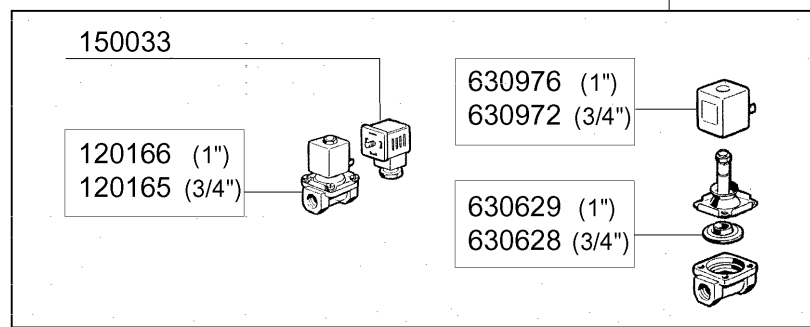
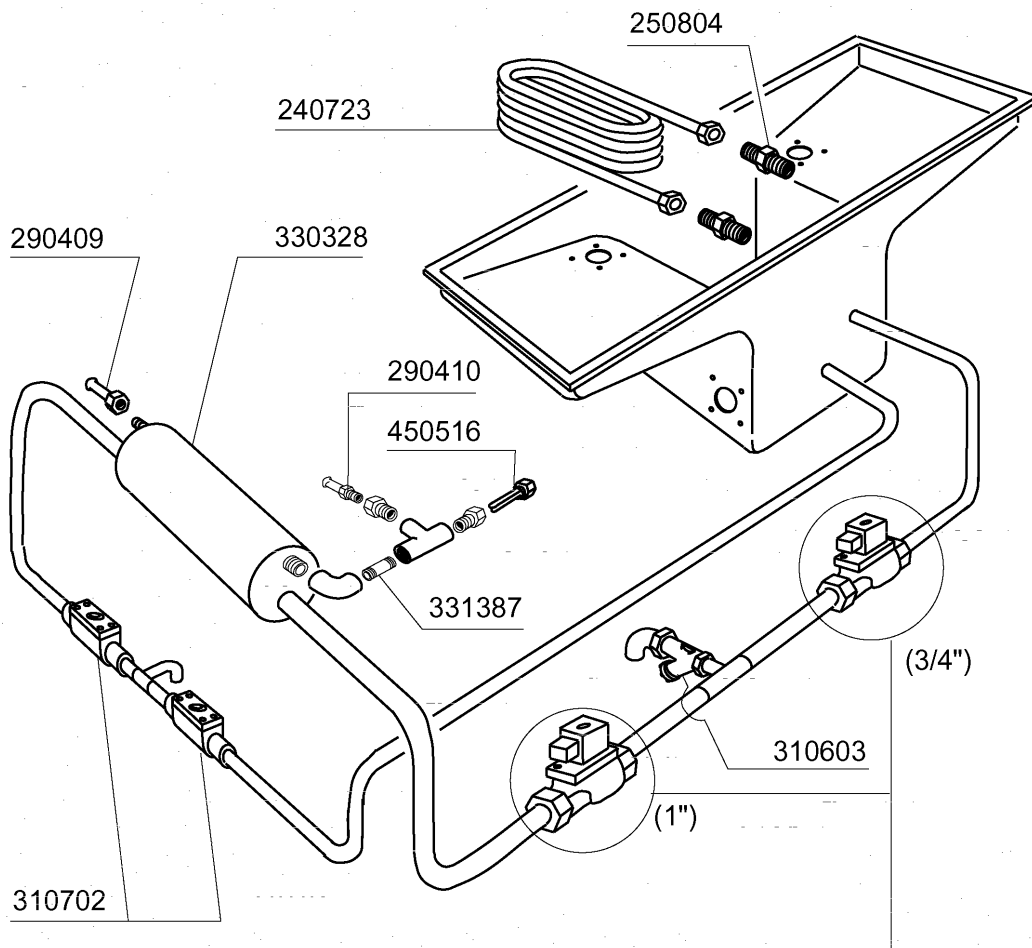
HP 4 / Kw 3 **(SHE 50)**

100697 220/240 - 380/415 50 Hz
100709 220/240 - 380/415 60 Hz

04 - 2005 | S. AG.

12 - Pump

CODE	DESCRIPTION
100697	PUMP HP 4 230/400/50 SHE 50
100698	PUMP HP 0,75-CEA120 (100789)
100699	PUMP 1HP 255/440 60HZ CE1206/1
100705	PUMP HP0,75 220-380 60H(100792)
100709	PUMP HP 4 220/380/415V 60HZ
100789	PUMP HP 0,75 220/415V
100792	PUMP HP 0,75 220/415
100793	PUMP HP 0,75
200848	O-RING FOR PUMP 0,75 HP CEA 12
200948	OR GASKET
460525	GASKET INLET ELBOW WASH PUMP
460526	GASKET DELIVERY ELBOW WASH P.
630128	PUMP VOLUTE 0,75HP CEA120/2
630518	PUMP SEAL HP0,75 CE120
630520	PUMP SEAL HP4-HTE50E
630529	SEAL FOR PUMP HP0,75 CEA120/2A
631661	IMPELLER PUMP 0,75HP LOW.CE120
631693	IMPELLER FOR PUMP 100697
631694	IMPELLER
631696	IMPELLER 60HZ FOR PUMP 100792

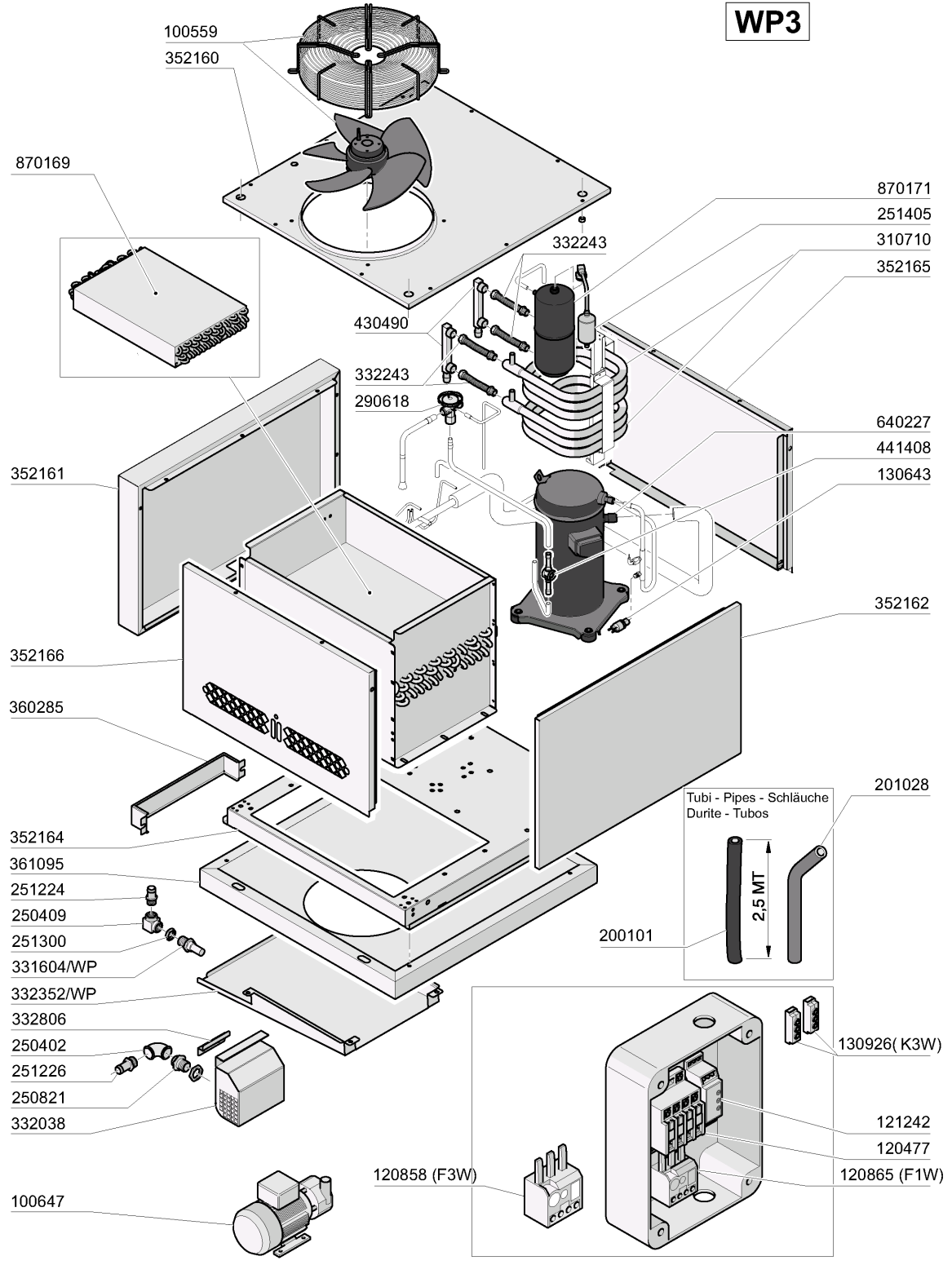


04 - 2005 S. AG.

13 - Steam Version

CODE	DESCRIPTION
120165	SOLE.N.VALVE ST.24V50HZ 3/4"
120166	STEAM SOLE.N.VALVE 1" 24V-50
150033	CONNEC.F.SOLEN.VALVE 182.09.N
240723	STEAM COIL 12.000KCAL "GL"
250804	NIPPLES FOR STEAM COIL
290409	NIPPLE 3/4"
290410	NIPPLE 1/2"
310603	STRAINERS JU 1" MOD.45
310702	STEAM TRAP 1/2" MK 25/3
330328	STEAM BOILER G
331387	HOSE 3/4"
450516	THERMOSTAT SHIELD FOR 2 TERMOS
630628	KIT F.SOLEN.V.L153D1 3/4"
630629	KIT SOLENOID VALVE 1" STEAM L1
630972	COIL Z534A/V.24-L145A-3/4
630976	COIL Z114A/V24/50HZ L153-1"

WP3



02 - 2010 M. S.

14 - Heat pumps WP3

CODE	DESCRIPTION
100559	FAN WP2-WP3
100647	PUMP HP 0,20 220/240/3 4226
120477	CONTACTOR ABB 9A 220V 50/60HZ
120858	OVERLOAD RELAY ABB 0,4-0,63A
120865	OVERLOAD RELAY ABB 6-8,5A
121242	TIMER LAV1000
130643	HIGH PRESSURE PRESS.SWITCH WP
130926	CONTACT ABB 1NO
200101	RUBBER TUBE 25X35
201028	OUTLET HOSE F. PREWASH 400MM A
250402	INOX ELL FF 3/4"
250409	INOX ELL FF 1/2"
250821	NIPPLES FOR STEAM COIL
251224	NIPPLE 1/2" WP
251226	NIPPLE 3/4" WP
251300	S/S LOCK NUT 1/2" AC-ACR
251405	FILTER WP4
290618	TERMOSTATIC VALVE WP2-WP3
310710	GAS/WATER CONDENSER WP3
331604/WP	TUBO PER RICIR. ACQUA GE WP2/3
332038	FILTER FOR PUMP
332243	HOSE 1/2-3/4"-130X220-
332352/WP	PARASPRUZZI VAP."GE" WP2-WP3
332806	BRACKET WITHOUT ASP.FILTER WP
352160	COVER WP2-WP3
352161	BACK COVER WP2-WP3
352162	FRONT COVER WP2-WP3
352164	BASEMENT WP2-WP3
352165	RIGHT SIDE PANEL WP2-WP3
352166	LEFT SIDE PANEL WP2-WP3
360285	BACK COVER WP2/3
361095	SUPPORT
430490	COLUMN WP
441408	INDICATORE DI FLUSSO (WP)
640227	RICEVITORE LIQUIDO (WP2-WP3)
870169	EVAPORATORE (WP2-WP3)
870171	COMPRESSORE POMPA WP3